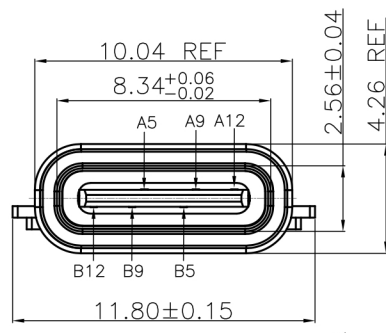
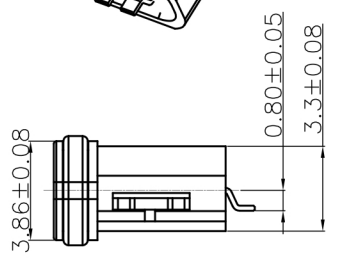
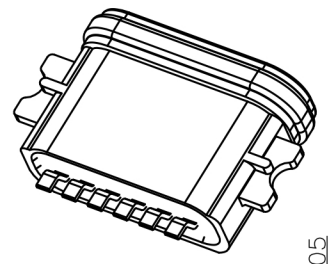
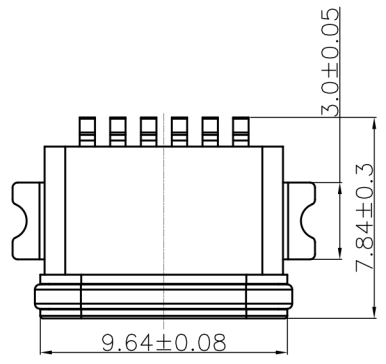


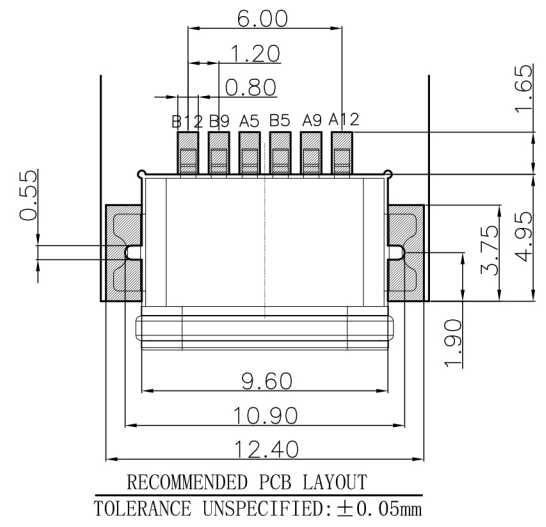
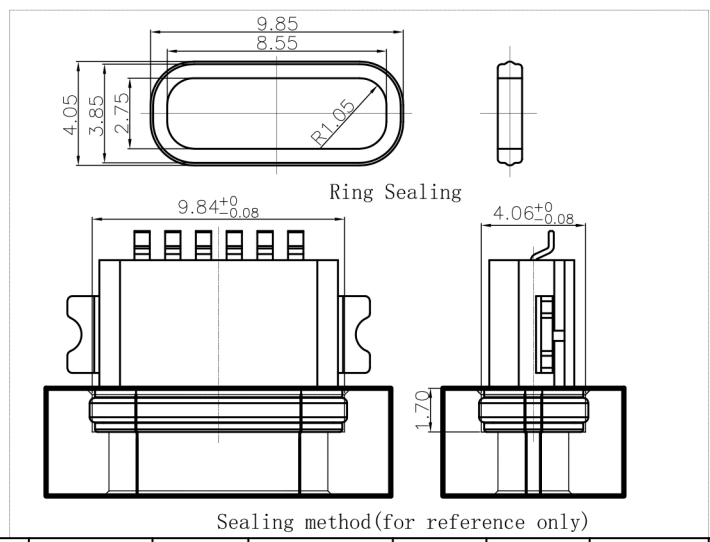
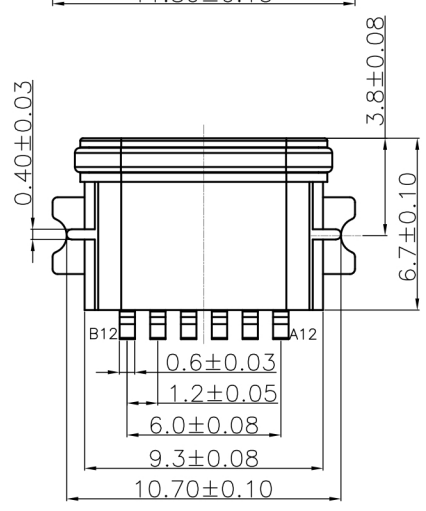
A  
B  
C  
D  
E  
F  
G  
H



1. Material/Plated  
 1.1 Housing: LCP E130i, Black UL 94V-0.  
 1.2 Terminal: Copper Alloy C5191, Gold Plated Nickel Underplated  
 1.3 Shell: Zinc Alloy, Nickel plated  
 1.4 Ring: Silicon 60±15A  
 1.5 Epoxy: Epoxy, Black
2. Electrical Performance  
 2.1 Rated Voltage: 30V AC  
 2.2 Rated Current: 5.0A Max.  
 2.3 Contact Resistance: 40mΩ Max.  
 2.4 Insulation Resistance: 100MΩ Min.  
 2.5 Dielectric Strength: 100V AC
3. Mechanical Performance  
 3.1 Insertion Force: 5-20N  
 3.2 Withdrawal Force: 6-20N  
 3.3 Durability: 10000 Cycles
4. Operating Temperature: -25° C To +85° C
5. Waterproof: IPX8

Connector Pin Assignments

A5	CC1	B12	GND
A9	VBUS	B9	VBUS
A12	GND	B5	GND
PIN	SIGNAL NAME	PIN	SIGNAL NAME



A	NEW RELEASE		Tom	2020-01-08		
REV.	DESCRIPTION	ECN NO.	NAME	DATE		
REVISIONS						

DRAWN	Tom	2020-01-08
CHECKED	Ango	2020-01-08
APPROVE	Kevin	2020-01-08
SCALE:	N/A	
SHEET:	1 OF 1	

DIMENSION TOLERANCE	
X	±0.35
X.X	±0.25
X.XX	±0.15
X.XXX	±0.10
GENERAL ANGLE: ±3°	
UNIT: mm	

东莞市神久电子科技有限公司 Dongguan Shenjiu Electronic Technology Co., Ltd	
TITLE	USB TYPE-C F 6P SINKING PLATE TYPE
PART NO.	UCX-039C1A
DWG. NO.	