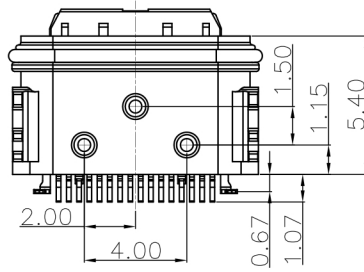
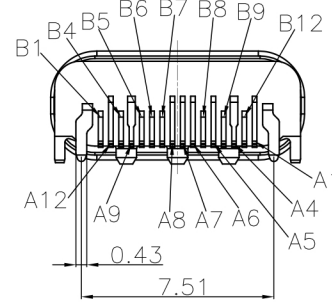
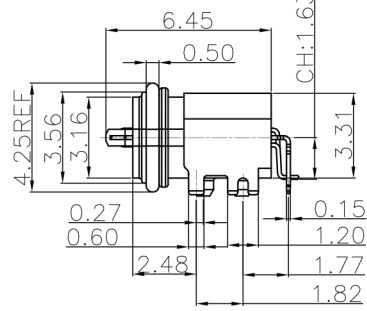
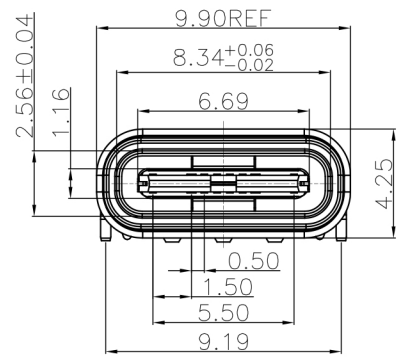
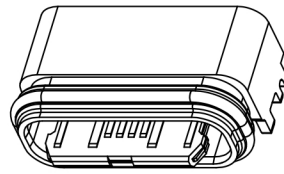
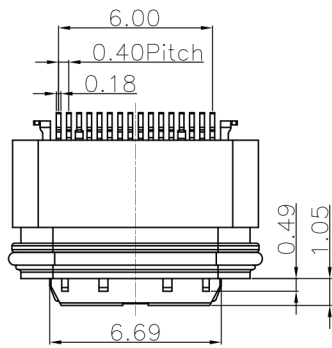
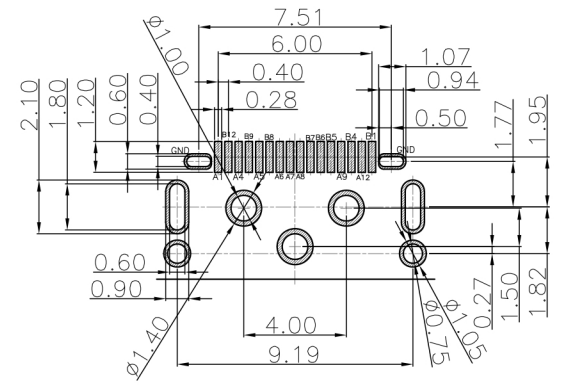


A  
B  
C  
D  
E  
F  
G  
H

# 参考图面



1. Material/Plated
  - 1.1 Housing: High temperature thermoplastic, Black UL 94V-0.
  - 1.2 Terminal: Copper Alloy, Gold Flash Plated At Contact Area, Tin Plated At Soldered Area, Nickel Underplated Overall
  - 1.3 Shell-1: Stainless steel
  - 1.4 Shell-2: Zinc Alloy, Nickel plated
  - 1.5 Shell Plate: Stainless steel, Nickel plated
  - 1.6 Ring: Silicon
  - 1.7 Epoxy: Epoxy, Black
2. Electrical Performance
  - 2.1 Rated Voltage: 30V AC
  - 2.2 Rated Current: 5.0A Max. 5
  - 2.3 Contact Resistance: 30mΩ Max.
  - 2.4 Insulation Resistance: 100MΩ Min.
  - 2.5 Dielectric Strength: 100V AC
3. Mechanical Performance
  - 3.1 Insertion Force: 5-20N
  - 3.2 Withdrawal Force: 8-20N
  - 3.3 Durability: 10000 Cycles
4. Operating Temperature: -25° C To +85° C
5. Waterproof: IPX7



RECOMMENDED PCB LAYOUT  
TOLERANCE UNSPECIFIED: ±0.05mm

					DRAWN	Tom	2019-07-29	DIMENSION TOLERANCE X ±0.35 X.XX ±0.25 X.XXX ±0.15 GENERAL ANGLE: ±3° UNIT: mm
					CHECKED	Ango	2019-07-29	
					APPROVE	Kevin	2019-07-29	
					SCALE: N/A	SHEET: 1 OF 1		
A	NEW RELEASE		Tom	2019-07-29				
REV.	DESCRIPTION	ECN NO.	NAME	DATE				
REVISIONS								

**东莞市神久电子科技有限公司**  
Dongguan Shenjiu Electronic Technology Co., Ltd

TITLE: **USB TYPE-C F 16P WATERPROOF**

PART NO.: **UCX-034S1A**

DWG. NO.: