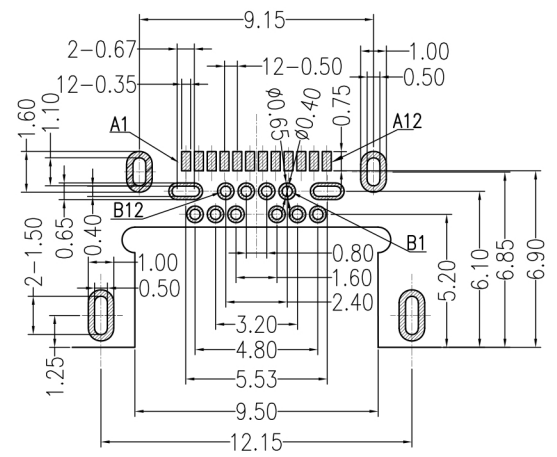
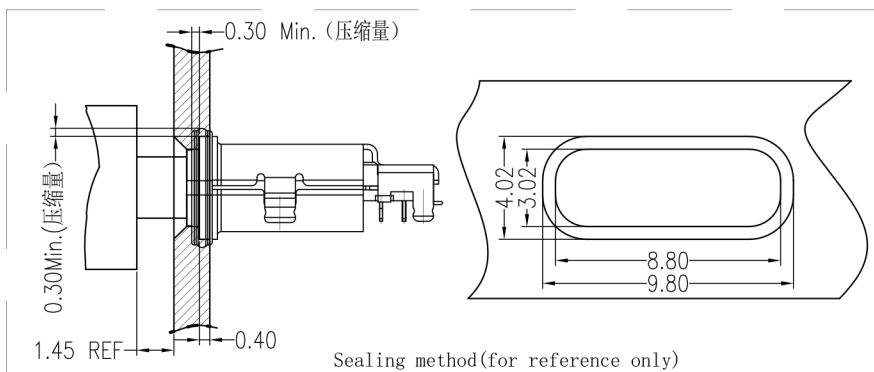
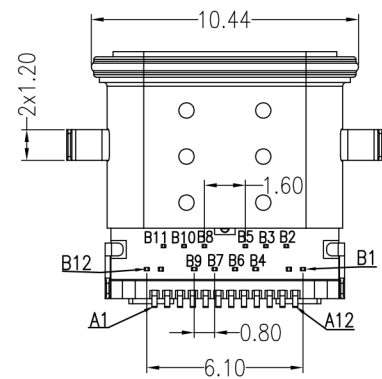
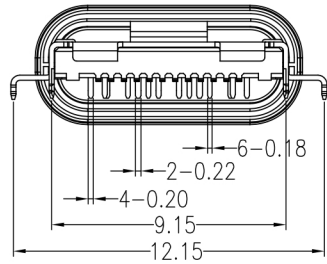
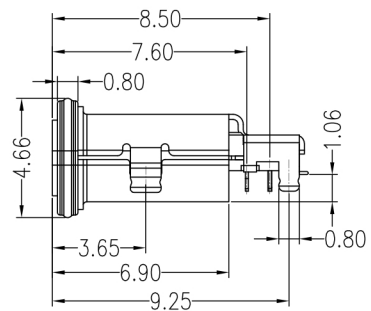
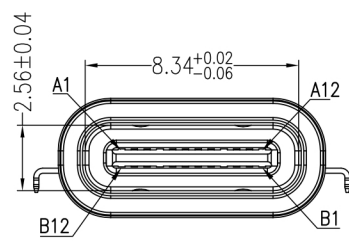


1. Material/Plated
 - 1.1 Housing: High temperature thermoplastic, Black UL 94V-0.
 - 1.2 Terminal: Copper Alloy, Gold Flash Plated At Contact Area, Gold Plated At Solder Area, Nickel Underplated Overall
 - 1.3 Shell-1: Stainless steel, Nickel plated
 - 1.4 Shell-2: Stainless steel
 - 1.5 Ring: Silicon
 - 1.6 Epoxy: Epoxy, Black
2. Electrical Performance
 - 2.1 Rated Voltage: 30V AC
 - 2.2 Rated Current: 5.0A Max.
 - 2.3 Contact Resistance: 30mΩ Max.
 - 2.4 Insulation Resistance: 100MΩ Min.
 - 2.5 Dielectric Strength: 100V AC
3. Mechanical Performance
 - 3.1 Insertion Force: 5-20N
 - 3.2 Withdrawal Force: 8-20N
 - 3.3 Durability: 10000 Cycles
4. Operating Temperature: -25° C To +85° C
5. Waterproof: IPX8



					DRAWN	Tom	2018-06-13	DIMENSION TOLERANCE X ±0.35 X.X ±0.25 X.XX ±0.15 GENERAL ANGLE: ±3° UNIT: mm
					CHECKED	Ango	2018-06-13	
					APPROVE	Kevin	2018-06-13	
					SCALE: N/A	SHEET: 1 OF 1		
REVISIONS								
A	NEW RELEASE		Tom	2018-06-13				
REV.	DESCRIPTION	ECN NO.	NAME	DATE				

东莞市神久电子科技有限公司
Dongguan Shenjiu Electronic Technology Co., Ltd

TITLE: USB TYPE-C 3.1 WATERPROOF

PART NO.: UCX-021C1C

DWG. NO.: