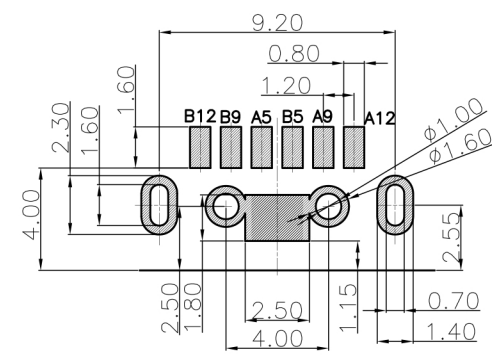
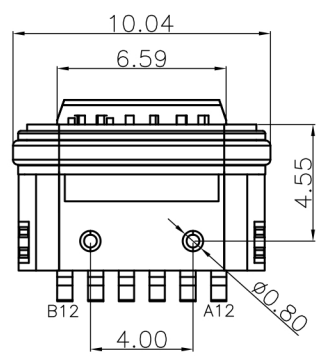
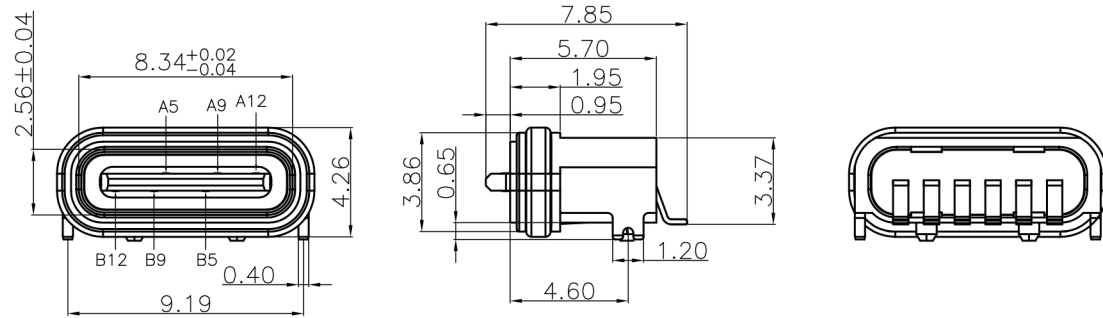


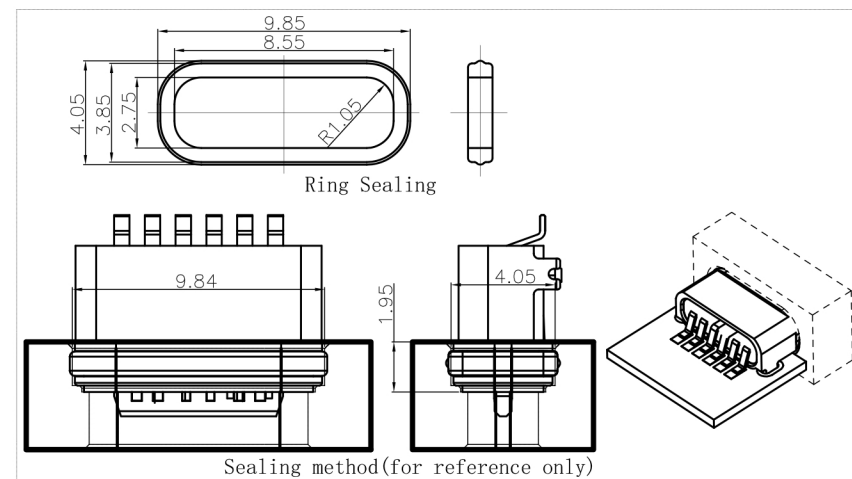
1. Material/Plated
 - 1.1 Housing: High temperature thermoplastic, Black UL 94V-0.
 - 1.2 Terminal: Copper Alloy, Gold Plated Nickel Underplated
 - 1.3 Shell: Zinc Alloy, Nickel plated
 - 1.4 Ring: Silicon
 - 1.5 Epoxy: Epoxy, Black
2. Electrical Performance
 - 2.1 Rated Voltage: 30V AC
 - 2.2 Rated Current: 5.0A Max.
 - 2.3 Contact Resistance: 40mΩ Max.
 - 2.4 Insulation Resistance: 100MΩ Min.
 - 2.5 Dielectric Strength: 100V AC
3. Mechanical Performance
 - 3.1 Insertion Force: 5-20N
 - 3.2 Withdrawal Force: 6-20N
 - 3.3 Durability: 10000 Cycles
4. Operating Temperature: -25° C To +85° C
5. Waterproof: IPX7

Connector Pin Assignments

A5	CC1	B12	GND
A9	VBUS	B9	VBUS
A12	GND	B5	GND
PIN	SIGNAL NAME	PIN	SIGNAL NAME



RECOMMENDED PCB LAYOUT
TOLERANCE UNSPECIFIED: ±0.05mm



Sealing method (for reference only)

					DRAWN	Tom	2019-09-23
					CHECKED	Ango	2019-09-23
					APPROVE	Kevin	2019-09-23
A	NEW RELEASE		Tom	2019-09-23			
REV.	DESCRIPTION	ECN NO.	NAME	DATE			
REVISIONS					SCALE: N/A	SHEET: 1 OF 1	

DIMENSION TOLERANCE X X.X ±0.35 X.XX ±0.25 X.XXX ±0.15 GENERAL ANGLE: ±3° UNIT: mm		东莞市神久电子科技有限公司 Dongguan Shenjiu Electronic Technology Co., Ltd	
TITLE	USB TYPE-C F 6P WATERPROOF		
PART NO.	UCX-038S1A		
DWG. NO.			